

8

7

6

5

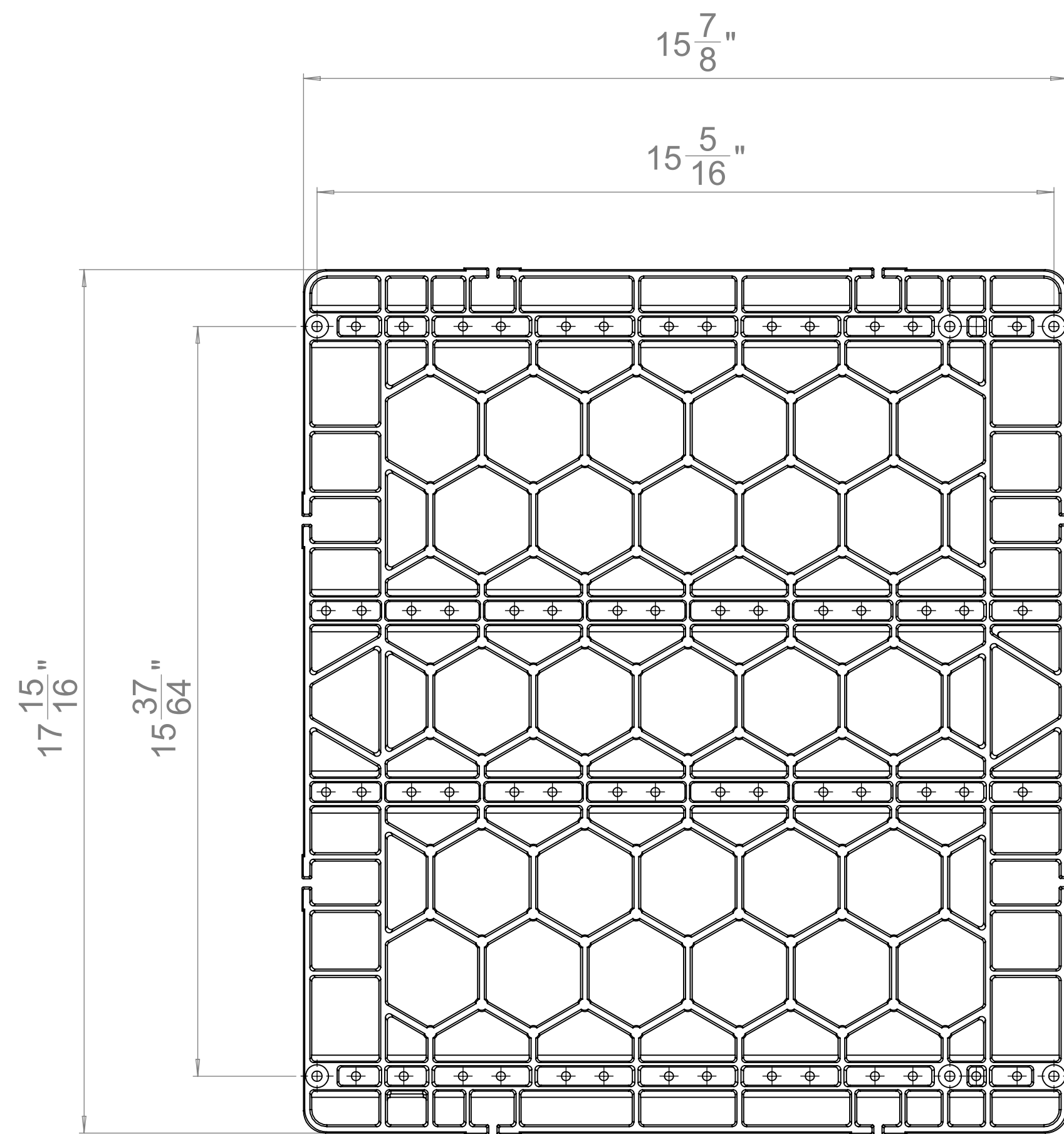
4

3

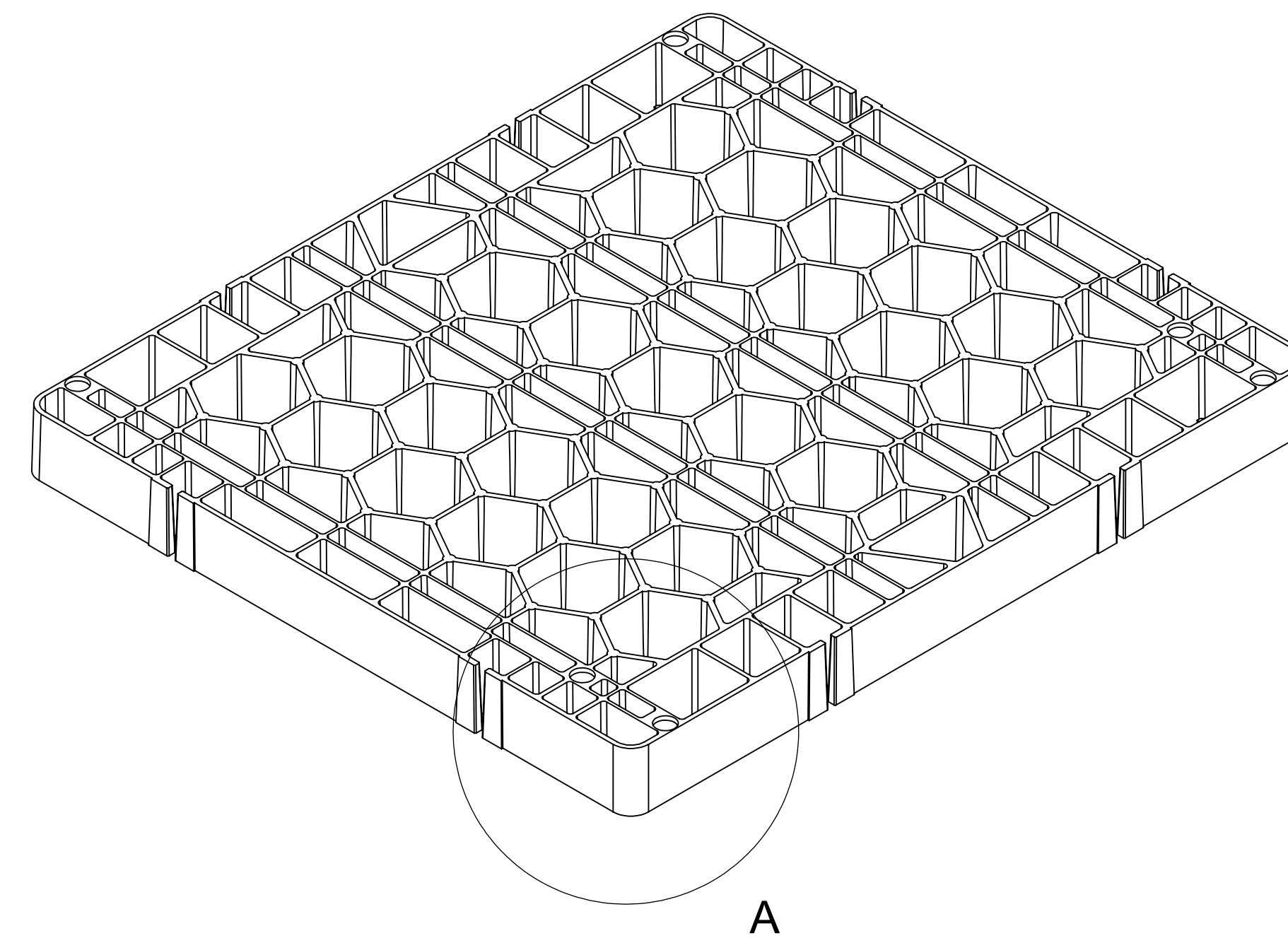
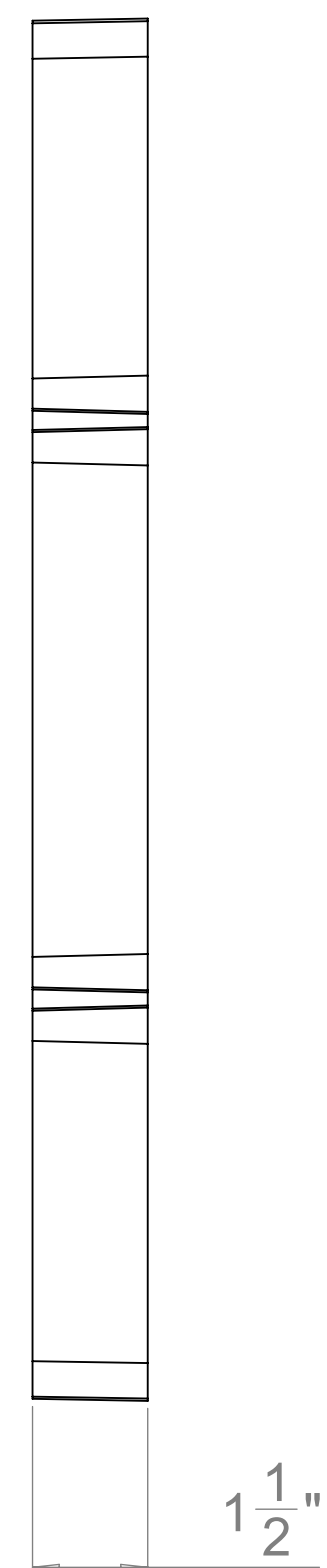
2

1

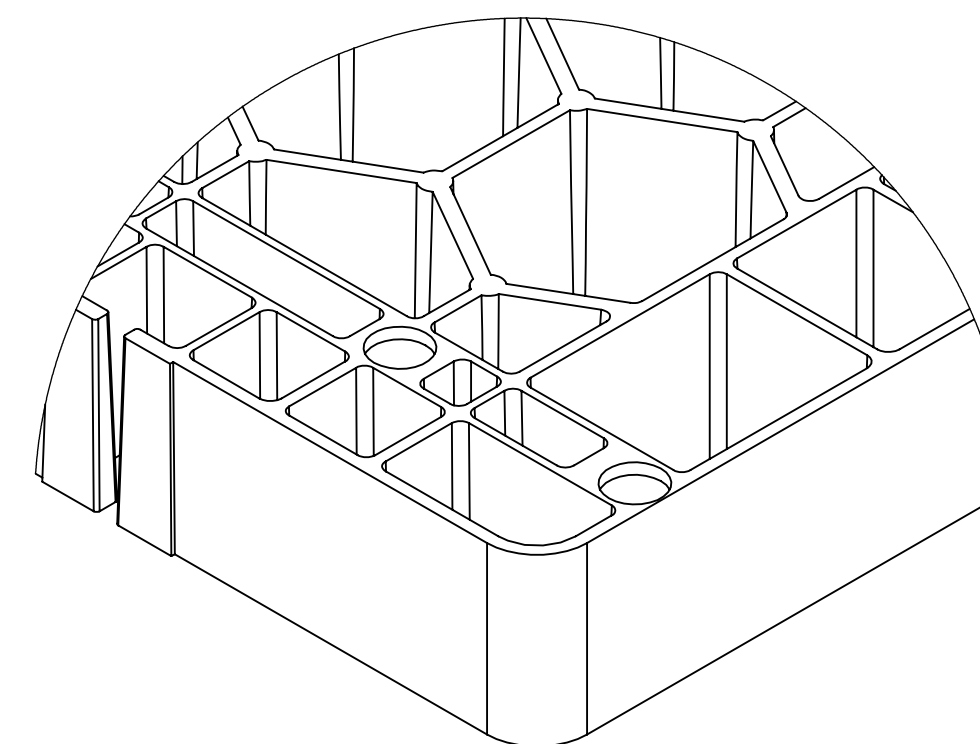
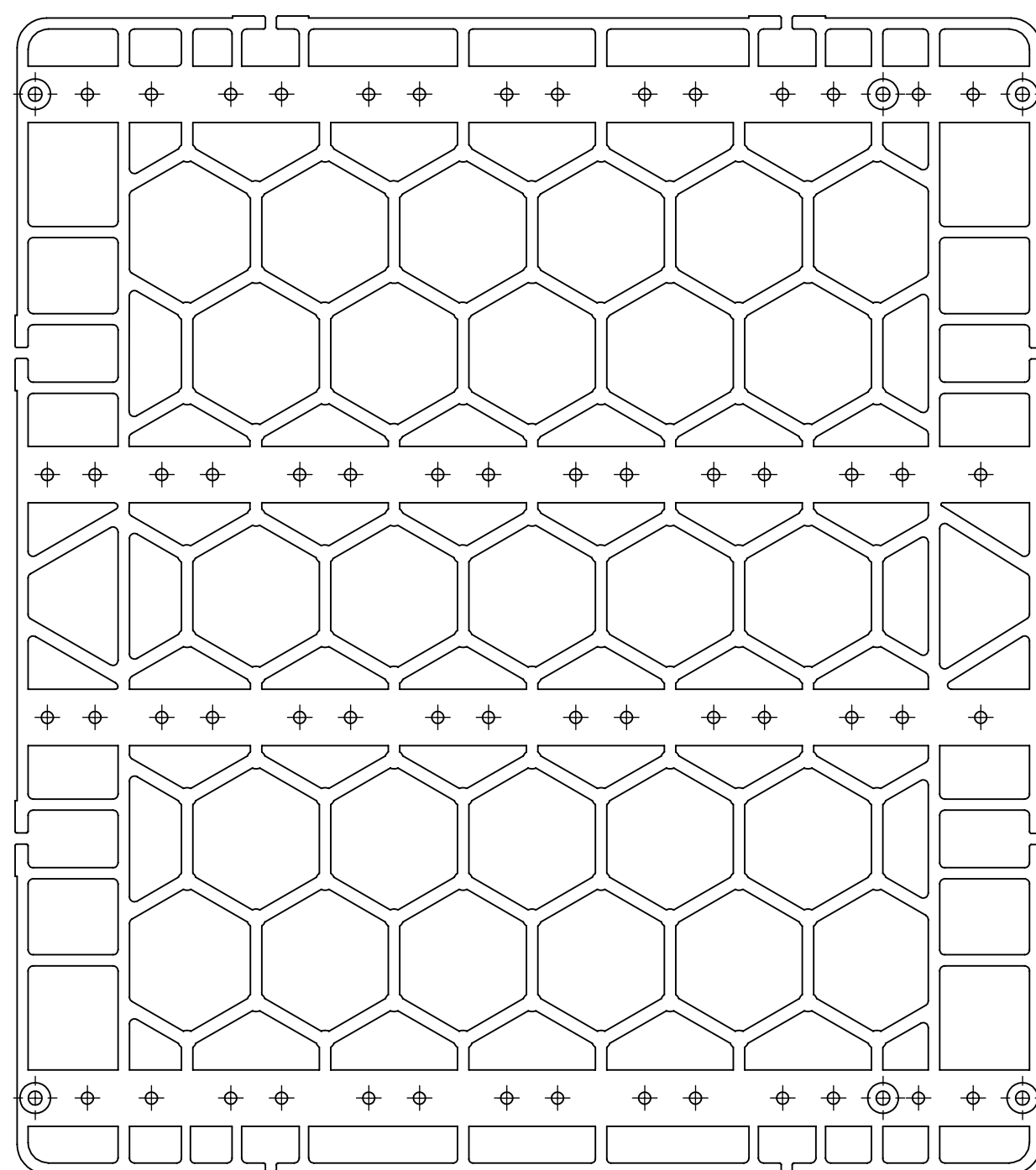
TOP VIEW



SIDE VIEW



BOTTOM VIEW



DETAILA



STONEDEKS / SILCA SYSTEM

356 EAST MARYLAND AVENUE  
 SEBRING, OHIO 44672  
 PHONE: (330) 821-1585  
[www.stonedeks.com](http://www.stonedeks.com)

StoneDeks - Revised 2.2018

PROPRIETARY AND CONFIDENTIAL  
 THE INFORMATION CONTAINED IN THIS  
 DRAWING IS THE SOLE PROPERTY OF  
 STONEDEKS. ANY REPRODUCTION OR  
 TRANSMISSION OF THIS DRAWING  
 WITHOUT THE WRITTEN PERMISSION OF  
 STONEDEKS IS PROHIBITED.

UNLESS OTHERWISE SPECIFIED:		NAME	DATE
DIMENSIONS ARE IN INCHES		DRAWN	CG
TOLERANCES:		CHECKED	
FRACTIONAL: ±		ENG APPR.	
ANGULAR: MACH ± BEND ±		MFG APPR.	
TWO PLACE DECIMAL ±		O.A.	
THREE PLACE DECIMAL ±		COMMENTS:	
INTERPRET GEOMETRIC TOLERANCING PER:	MATERIAL:		
FINISH:			
APPLICATION:	DO NOT SCALE DRAWING		

TITLE:  
**New Silca Grate**

SIZE: DWG. NO. **D** REV

WEIGHT: SHEET 1 OF 1

8

7

6

5

4

3

2

1