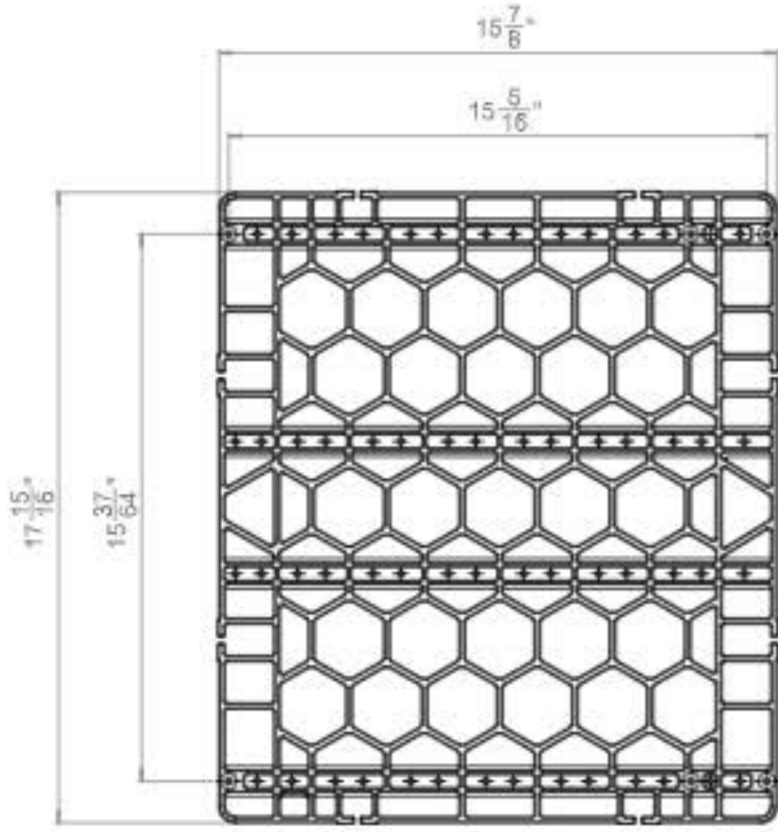
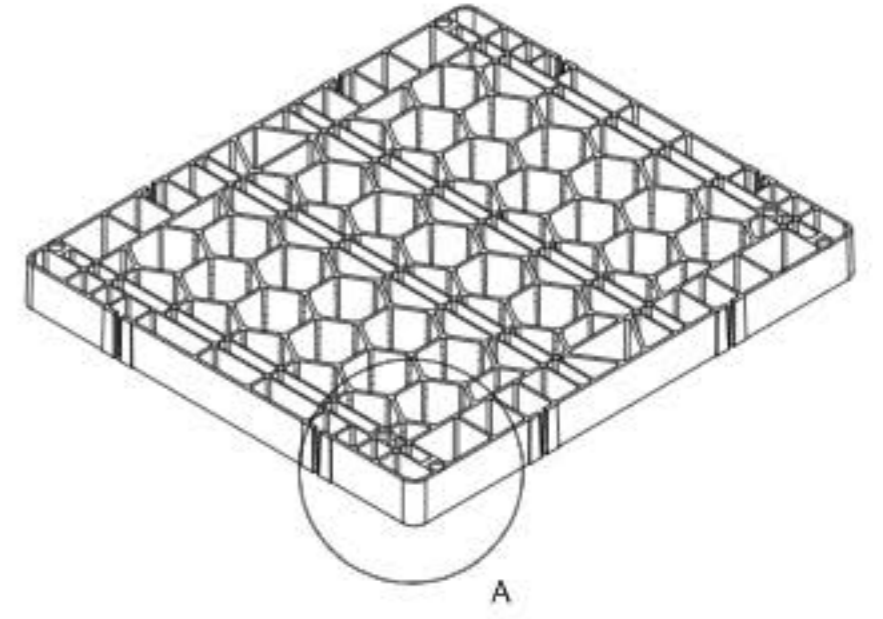


8 7 6 5 4 3 2 1

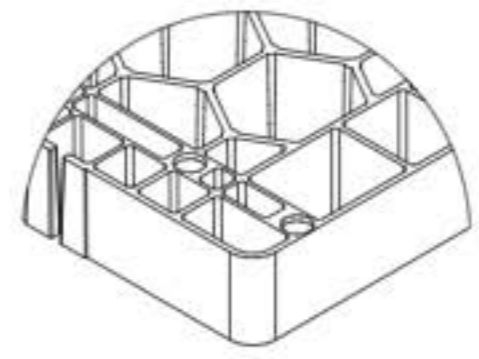
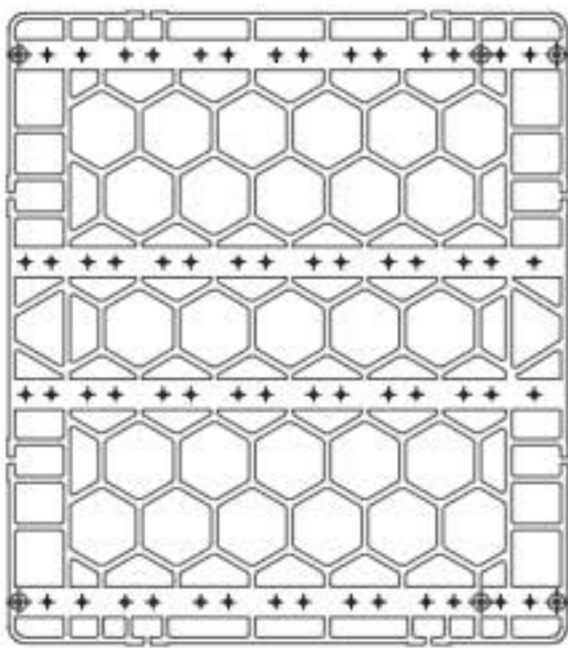
TOP VIEW



SIDE VIEW



BOTTOM VIEW



DETAILA



STONEDEKS / SILCA SYSTEM
356 EAST MARYLAND AVENUE
SEBRING, OHIO 44872
PHONE: (330) 821-1585
www.stonedeks.com

StoneDecks - Revised 2.2018

<small>STANDARD INFORMATION</small> ALL DIMENSIONS ARE IN INCHES UNLESS OTHERWISE SPECIFIED. DIMENSIONS TO FACE UNLESS OTHERWISE SPECIFIED. DIMENSIONS TO CENTERLINE UNLESS OTHERWISE SPECIFIED. DIMENSIONS TO SURFACE UNLESS OTHERWISE SPECIFIED. DIMENSIONS TO CENTERLINE UNLESS OTHERWISE SPECIFIED. DIMENSIONS TO SURFACE UNLESS OTHERWISE SPECIFIED.		DATE: 02/20/18 DRAWN BY: JMM CHECKED BY: JMM APPROVED BY: JMM COMPANY: STONEDEKS	TITLE: New Silca Grate SIZE: 15x15 HD REV:
SHEET: 1000000000 LAYOUT:	PART: 1000000000 QUANTITY:	PROJECT: 1000000000 DRAWING NO:	SHEET: 1 OF 1 PART: 1 OF 1

8 7 6 5 4 3 2 1